

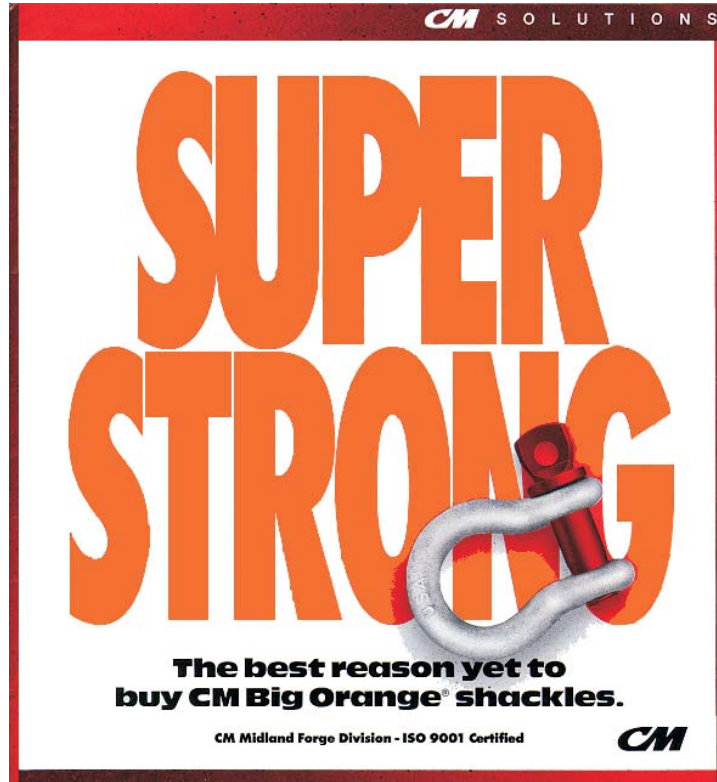


INDUSTRIES LTD.

www.wescovan.com

CM PRODUCT RANGE

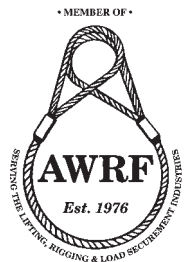
C
M
P
R
O
D
U
C
T

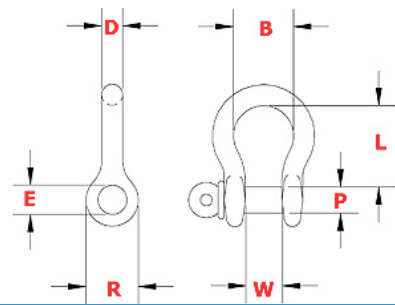


BIG ORANGE SHACKLES, WIRE ROPE CLIPS & LOADBINDERS

Head Office: Unit 1, 9663-199A Street Langley BC V1M
2X7 Phone: 604 881 3000 Fax: 604 881 3010
Email: info@wescovan.com

Rigging Centre: 2437 Beta Avenue Burnaby BC V5C 5N1
Phone: 604 292 1220 Fax: 604 292 1222
Email: burnaby@wescovan.com





CM Big Orange High Strength Galvanized Load Rated Screw Pin Anchor Shackles

Stock Code	Size Inches	CM Part Number	WLL Tons*	Dimensions (Inches)				Weight 100 Pieces
				Pin P	Width W	Length L	Width B	
50LSP-G06CM	3/16	M645	1/2	1/4	3/8	7/8	5/8	6
50LSP-G08CM	1/4	M646	3/4	5/16	15/32	1-1/8	13/16	12
50LSP-G10CM	5/16	M647	1	3/8	17/32	1-1/4	7/8	20
50LSP-G12CM	3/8	M648	1-1/2	7/16	21/32	1-7/16	1-1/16	30
50LSP-G14CM	7/16	M649	2	1/2	23/32	1-11/16	1-1/4	50
50LSP-G16CM	1/2	M650	3	5/8	13/16	1-15/16	1-7/16	75
50LSP-G20CM	5/8	M651	4-1/2	3/4	1-1/16	2-13/32	1-3/4	130
50LSP-G24CM	3/4	M652	6-1/2	7/8	1-1/4	2-27/32	2	225
50LSP-G28CM	7/8	M653	8-1/2	1	1-7/16	3-5/16	2-5/16	350
50LSP-G32CM	1	M654	10	1-1/8	1-11/16	3-3/4	2-9/16	500
50LSP-G36CM	1-1/8	M655	12	1-1/4	1-13/16	4-1/4	2-15/16	700
50LSP-G40CM	1-1/4	M656	14	1-3/8	2-1/32	4-11/16	3-1/4	950
50LSP-G44CM	1-3/8	M657	17	1-1/2	2-1/4	5-1/4	3-1/2	1250
50LSP-G48CM	1-1/2	M685	20	1-5/8	2-3/8	5-3/4	3-3/4	1720
50LSP-G56CM	1-3/4	M677	30	2	2-7/8	7	5	2770
50LSP-G64CM	2	M658	35	2-1/4	3-1/4	7 3/4	5-3/4	3900

*Ton = 2,000 lbs.

All shackles pins are forged from alloy steel, heat treated and tempered to give greater strength.

CM Big Orange high strength shackles meet performance requirements of Federal Spec.RRC-271 D.

All shackles are marked with size and working load limit in tons.

Ultimate strength equals 6 times working load limit.

Proof load equals 2.2 times working load limit.

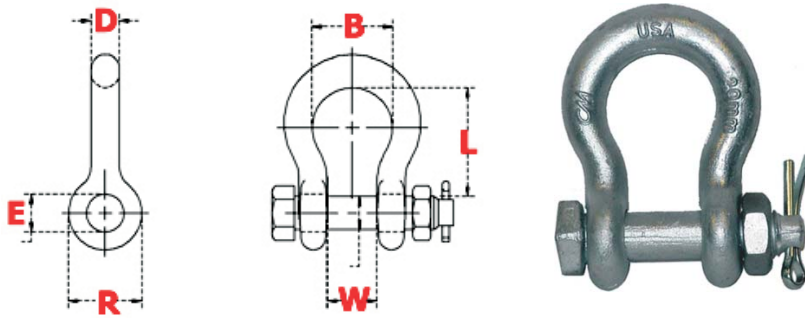


SPECIFICATIONS SUBJECT TO CHANGE WITHOUT NOTICE

Industries Ltd.

WARNING: NEVER EXCEED WORKING LOAD LIMITS

PAGE 2



CM Big Orange High Strength Galvanized Load Rated Bolt Type Anchor Shackles

Stock Code	Size Inches	CM Part Number	WLL Tons*	Dimensions (Inches)				Weight 100 Pieces
				Pin P	Width W	Length L	Width B	
50LSA-G16CM	1/2	M850	3	5/8	13/16	1-15/16	1-7/16	84
50LSA-G20CM	5/8	M851	4-1/2	3/4	1-1/16	2-13/32	1-3/4	175
50LSA-G24CM	3/4	M852	6-1/2	7/8	1-1/4	2-27/32	2	250
50LSA-G28CM	7/8	M853	8-1/2	1	1-7/16	3-5/16	2-5/16	400
50LSA-G32CM	1	M854	10	1-1/8	1-11/16	3-3/4	2-9/16	550
50LSA-G36CM	1-1/8	M855	12	1-1/4	1-13/16	4-1/4	2-15/16	750
50LSA-G40CM	1-1/4	M856	14	1-3/8	2-1/32	4-11/16	3-1/4	1100
50LSA-G44CM	1-3/8	M866	17	1-1/2	2-1/4	5-1/4	3-1/2	1350
50LSA-G48CM	1-1/2	M857	20	1-5/8	2-3/8	5-3/4	3-3/4	1850
50LSA-G56CM	1-3/4	M877	30	2	2-7/8	7	5	3100
50LSA-G64CM	2	M858	35	2-1/4	3-1/4	7 3/4	5-3/4	4200

*Ton = 2,000 lbs.

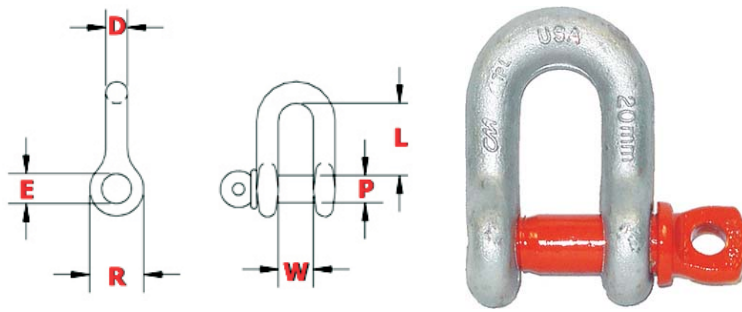
All shackles pins are forged from alloy steel, heat treated and tempered to give greater strength.

CM Big Orange high strength shackles meet performance requirements of Federal Spec. RRC-271 D.

All shackles are marked with size and working load limit in tons.

Ultimate strength equals 6 times working load limit.

Proof load equals 2.2 times working load limit.



CM Big Orange High Strength Galvanized Load Rated Screw Pin Chain Shackles

Stock Code	Size Inches	CM Part Number	WLL Tons*	Dimensions (Inches)			Weight 100 Pieces
				Pin P	Width W	Length L	
51LSP-G08CM	1/4	M746	3/4	5/16	15/32	7/8	11
51LSP-G10CM	5/16	M747	1	3/8	17/32	1-1/32	17
51LSP-G12CM	3/8	M748	1-1/2	7/16	21/32	1-1/4	29
51LSP-G14CM	7/16	M749	2	1/2	23/32	1-1/2	40
51LSP-G16CM	1/2	M750	3	5/8	13/16	1-11/16	60
51LSP-G20CM	5/8	M751	4-1/2	3/4	1-1/16	2	125
51LSP-G24CM	3/4	M752	6-1/2	7/8	1-1/4	2-3/8	200
51LSP-G28CM	7/8	M753	8-1/2	1	1-7/16	2-13/16	300
51LSP-G32CM	1	M754	10	1-1/8	1-11/16	3-3/16	450
51LSP-G36CM	1-1/8	M755	12	1-1/4	1-13/16	3-9/16	650
51LSP-G40CM	1-1/4	M756	14	1-3/8	2-1/32	3-11/16	860
51LSP-G44CM	1-3/8	M766	17	1-1/2	2-1/4	4-7/16	1200
51LSP-G48CM	1-1/2	M757	20	1-5/8	2-3/8	4-7/8	1500
51LSP-G56CM	1-3/4	M777	30	2	2-7/8	5-3/4	2700
51LSP-G64CM	2	M758	35	2-1/4	3-1/4	6-3/4	3600

*Ton = 2,000 lbs.

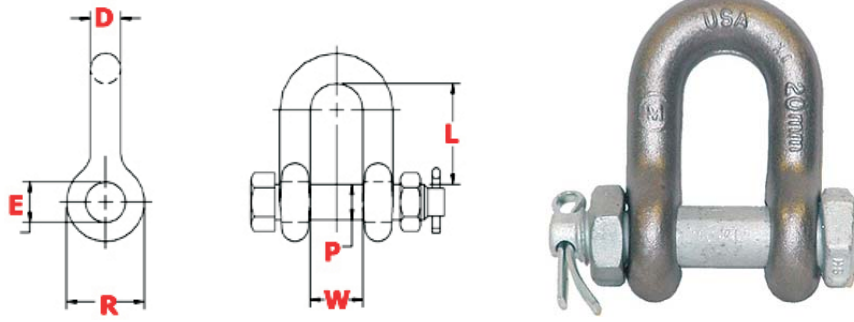
All shackles pins are forged from alloy steel, heat treated and tempered to give greater strength.

CM Big Orange high strength shackles meet performance requirements of Federal Spec. RRC-271 D.

All shackles are marked with size and working load limit in tons.

Ultimate strength equals 6 times working load limit.

Proof load equals 2.2 times working load limit.



CM Big Orange High Strength Galvanized Load Rated Bolt Type Chain Shackles

Stock Code	Size Inches	CM Part Number	WLL Tons*	Dimensions (Inches)			Weight 100 Pieces
				Pin P	Width W	Length L	
51LSA-G16CM	1/2	M950	3	5/8	13/16	1-11/16	78
51LSA-G20CM	5/8	M951	4-1/2	3/4	1-1/16	2	150
51LSA-G24CM	3/4	M952	6-1/2	7/8	1-1/4	2-3/8	220
51LSA-G28CM	7/8	M953	8-1/2	1	1-7/16	2-13/16	320
51LSA-G32CM	1	M954	10	1-1/8	1-11/16	3-3/16	500
51LSA-G36CM	1-1/8	M955	12	1-1/4	1-13/16	3-9/16	700
51LSA-G40CM	1-1/4	M956	14	1-3/8	2-1/32	3-11/16	920
51LSA-G44CM	1-3/8	M966	17	1-1/2	2-1/4	4-7/16	1300
51LSA-G48CM	1-1/2	M957	20	1-5/8	2-3/8	4-7/8	1700
51LSA-G56CM	1-3/4	M977	30	2	2-7/8	5-3/4	2850
51LSA-G64CM	2	M958	35	2-1/4	3-1/4	6-3/4	3900

*Ton = 2,000 lbs.

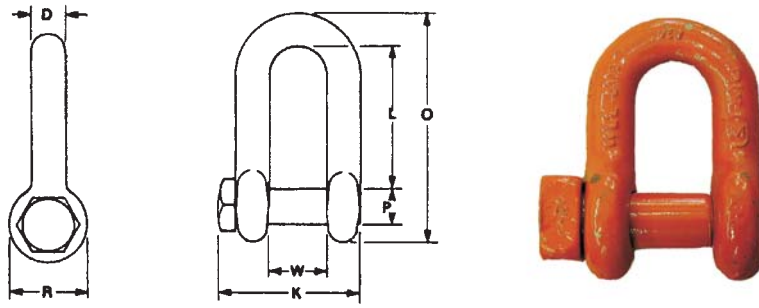
All shackles pins are forged from alloy steel, heat treated and tempered to give greater strength.

CM Big Orange high strength shackles meet performance requirements of Federal Spec. RRC-271 D.

All shackles are marked with size and working load limit in tons.

Ultimate strength equals 6 times working load limit.

Proof load equals 2.2 times working load limit.



CM Big Orange High Strength Load Rated Trawling Shackles

Stock Code	Size Inches	CM Part Number	WLL Tons*	Dimensions (Inches)				Weight 100 Pieces
				Pin P	Width W	Length L	Width K	
51TRL-S16CM	1/2	M450	3	5/8	13/16	1-11/16	2-1/16	60
51TRL-S20CM	5/8	M451	4-1/2	3/4	1-1/16	2	2-5/8	130
51TRL-S24CM	3/4	M452	6-1/2	7/8	1-1/4	2-3/8	3-1/8	220
51TRL-S28CM	7/8	M453	8-1/2	1	1-7/16	2-13/16	3-5/8	300
51TRL-S32CM	1	M454	10	1-1/8	1-11/16	3-3/16	4-3/16	450

*Ton = 2,000 lbs.

Heat treated bodies.

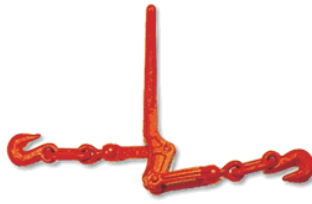
Heat treated alloy pins.

Hex head pins for convenience in wrench tightening and loosening.

Proof load 2.2 times working load limit.

Ultimate strength 6 times working load limit.

Painted orange.



CM Professional Series Drop Forged Standard Lever Type Load Binders

Stock Code	Min - Max Chain Size Inches	Dixie Part Number	Working Load Limit	Take Up Inches	Chain Grade & Size			Weight Each Pounds
					Grade 30	Grade 43	Grade 70	
04ST-08DI	3/16 - 1/4	48304	2,600 lbs	3.75	5/16	1/4	---	3.00
04ST-12DI	5/16 - 3/8	48305	5,400 lbs	4.50	3/8	3/8	5/16	8.00
04ST-16DI	3/8 - 1/2	48306	9,200 lbs	4.50	1/2	1/2	3/8	10.00



CM Professional Series E.Z. Pro Cam-Release

Stock Code	Min - Max Chain Size Inches	Dixie Part Number	Working Load Limit	Take Up Inches	Chain Grade & Size			Weight Each Pounds
					Grade 30	Grade 43	Grade 70	
04CR-12DI	5/16 - 3/8	48405	5,400 lbs	4.75	3/8	3/8	5/16	8.00

Entirely hand releasable - no need for an assist bar!

All binders in the Professional Series are made in the USA. They all offer the following features:

- Working Load Limit clearly embossed on handle
- Heavy, rugged drop forged construction from the finest state of the art forging materials
- Random destruction testing to assure maximum performance standards
- Heat treated alloy components
- Each binder proof tested during the manufacturing process
- Binders designed to toggle away from load



CM Professional Series Drop Forged Ratchet Load Binders

Stock Code	Min - Max Chain Size Inches	Dixie Part Number	Working Load Limit	Take Up Inches	Chain Grade & Size			Weight Each Pounds
					Grade 30	Grade 43	Grade 70	
04RA-12DI	5/16 - 3/8	D48365	5,400lbs	8.00	3/8	3/8	5/16	12.00
04RA-16DI	3/8 - 1/2	D48366	9,200lbs	8.00	1/2	1/2	3/8	14.00
04RA-20DI	1/2 - 5/8	D48367	13,000lbs	8.00	5/8	5/8	1/2	16.00

Ratchet Load Binders Less Links and Hooks

Stock Code	Min - Max Chain Size Inches	Dixie Part Number	Working Load Limit	Take Up Inches	Chain Grade & Size			Weight Each Pounds
					Grade 30	Grade 43	Grade 70	
04RAP-20DI	5/8	D48363	13,000 lbs	8.00	No hooks/Links			10.00



CM Professional Series Drop Forged Spring Snubber Load Binders

Stock Code	Min - Max Chain Size Inches	Dixie Part Number	Working Load Limit	Take Up Inches	Chain Grade & Size			Weight Each Pounds
					Grade 30	Grade 43	Grade 70	
04SN-12DI	5/16 - 3/8	48395	5,400lbs	4.50	3/8	3/8	5/16	14.60



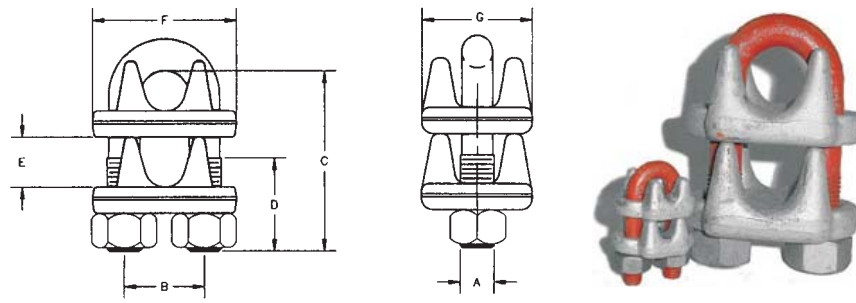
CM Big Orange Galvanized Drop Forged Mid-Grip (Double Saddle) Wire Rope Clips

Stock Code	Size Inches	CM Part Number	Installation Details			Weight 100 Pieces
			Minimum No. of Clips	Rope Turn Back-Inches	Torque (ft.-lbs.)*	
22GR-06CM	3/16 & 1/4	M2246	2	4	30	21
22GR-10CM	5/16	M2247	2	5	30	27
22GR-12CM	3/8	M2248	2	5-1/2	45	45
22GR-14CM	7/16	M2250	2	6-1/2	65	65
22GR-14CM	1/2	M2250	3	11	65	65
22GR-18CM	9/16	M2251	3	12-3/4	130	113
22GR-18CM	5/8	M2251	3	13-1/2	130	113
22GR-24CM	3/4	M2252	3	16	225	144

Proper use of CM Big Orange Mid-Grip Clips:

1. Turn back specified amount of rope from thimble or loop. Apply first clip one base width from dead end of rope. Tighten nuts evenly, alternating from one nut to the other until reaching the recommended torque.
2. When two clips are required, apply the second clip as near the loop or thimble as possible. Tighten nuts evenly, alternating until reaching the recommended torque. When more than two clips are required, apply the second clip as near the loop or thimble as possible, turn nuts on second clip firmly, but do not tighten. Proceed to Step 3.
3. When three or more clips are required, space additional clips between first two - take up rope slack - tighten nuts on all clips, alternating from one nut to the other until reaching the recommended torque.
4. Apply an initial load equal to loads expected in use. Inspect for proper spacing and retighten the nuts to the recommended torque.





CM Big Orange PiggyBack Galvanized Wedge Socket Clips

Stock Code	Size Inches	CM Part Number	Dimensions (Inches)					Weight Each Pounds
			Thread Size Inches A	Inside Length C	Thread Length D	Forging Base Height E	Overall Width F	
22PB-G12CM	3/8	M248D	7/16	2.38	1.00	0.53	1.94	0.8
22PB-G16CM	1/2	M250D	1/2	2.62	1.00	0.72	2.31	1.4
22PB-G18CM	9/16	M296D	9/16	3.19	1.25	0.77	2.50	1.7
22PB-G20CM	5/8	M251D	9/16	3.19	1.25	0.81	2.50	1.7
22PB-G24CM	3/4	M252D	5/8	3.50	1.50	0.91	2.81	2.5
22PB-G28CM	7/8	M253D	3/4	3.88	2.00	1.07	3.16	3.6
22PB-G32CM	1	M254D	3/4	4.25	2.00	1.22	3.47	3.9
22PB-G36CM	1-1/8	M255D	3/4	4.50	2.00	1.31	3.59	4.9
22PB-G40CM	1-1/4	M256D	7/8	5.25	2.38	1.50	4.22	6.5
22PB-G44CM	1-3/8	M257D	7/8	5.62	2.38	1.56	4.25	7.1
22PB-G48CM	1-1/2	M258D	7/8	6.00	2.38	1.75	4.47	8.2

CM Big Orange introduces an easy way to secure the dead end of a wire rope on a wedge socket.

The new PiggyBack Clip is another CM Big Orange exclusive. The revolutionary dual saddle design secures the dead end of a wire rope on a wedge socket and provides the following benefits:

- Attaches quickly and easily.
- Prevents load transfer to dead end of rope.
- Eliminates need for short rope piece or loop on dead end.
- Properly secured dead end reduces possibility of snag/foul and shear off at wedge socket.
- Available in 3/8" to 1-1/2" sizes.
- Drop forged saddles.
- Hot dip galvanized, plus orange painted U-bolts.

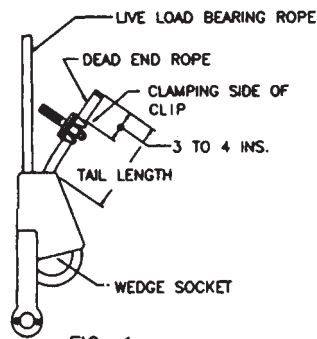


FIG. 1

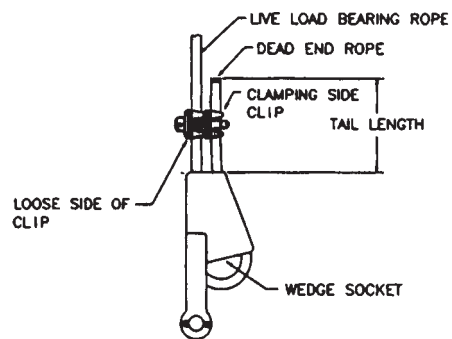


FIG. 2

Proper use of CM Big Orange Piggyback Wedge Socket Clips

Stock Number	Size Inches	Installation Details		Weight Each Pounds
		Torque (ft.-lbs.)*	Minimum Tail Inches	
22PB-G12CM	3/8	45	6	0.8
22PB-G16CM	1/2	65	6	1.4
22PB-G18CM	9/16	95	6	1.7
22PB-G20CM	5/8	95	6	1.7
22PB-G24CM	3/4	130	6	2.5
22PB-G28CM	7/8	225	6	3.6
22PB-G32CM	1	225	6	3.9
22PB-G36CM	1-1/8	225	6-3/4	4.9
22PB-G40CM	1-1/4	360	7-1/2	6.5
22PB-G44CM	1-3/8	360	8-1/4	7.1
22PB-G48CM	1-1/2	360	9	8.2

Proper use of CM Big Orange PiggyBack Wedge Socket Clips

1. Dead end wire rope tail length should be at least 6 rope diameters, but not less than 6 inches beyond the wedge socket. Figure 1.
2. Apply U-bolt and first saddle on dead end rope and the second saddle on live end rope. Install nuts. Figure 1&2.
3. Position the dual saddle clip so that 3 to 4 inches of dead end rope remain beyond the clip. Figure 1 & 2.
4. Tighten nuts evenly. Alternate tightening each nut until reaching the required torque specified. Figure 2.
5. Check that clip does not pinch or clamp the live wire rope. Apply an initial test load equal to the loads expected in regular use. Be certain rope is secured properly in the wedge socket prior to any use.
6. Inspect for proper rope alignment with wedge socket and retighten the nuts to the specified torque.



CM Big Orange Alloy Eye Hooks

Stock Code	WLL Tons*	CM Part Number	Weight 100 Pieces
36EYE-A010CM	1	M6402A	54
36EYE-A015CM	1 1/2	M6403A	80
36EYE-A020CM	2	M6404A	130
36EYE-A030CM	3	M6405A	190
36EYE-A050CM	5	M6407A	350
36EYE-A070CM	7	M6409A	650
36EYE-A110CM	11	M6411A	1,540
36EYE-A150CM	15	M6415A	2,160



CM Big Orange Zinc Plated Latch Kits

Stock Code	Hook Capacity	CM Part Number	Weight 100 Pieces
36XLK-CM4X1302	1	4X1302	54
36EYE-CM4X1303	1 1/2	4X1303	80
36EYE-CM4X1304	2	4X1304	130
36EYE-CM4X1305	3	4X1305	190
36EYE-CM4X1307	5	4X1307	350
36EYE-CM4X1309	7	4X1309	650
36EYE-CM4X1311	11	4X1311	1,540
36EYE-CM4X1315	15	4X1315	2,160



Coffing Beam Clamps

Stock Code	WLL in Tons	Flange Width Inches	Description	Weight Pounds per Piece
91BMC-09001	1	3 to 9	BC Beam Clamp - Black	9
91BMC-09002	2	3 to 9	BC Beam Clamp - Black	13
91BMC-09003	3	3.2 to 12.6	BC Beam Clamp - Black	18
91BMC-09004	5	3.6 to 12.2	BC Beam Clamp - Black	22



Coffing Push Trolleys

Stock Code	WLL in Tons	Flange Width Inches	Description	Weight Pounds per Piece
91TRL-09284	1/2	2.66 to 8.04	ETA Push Trolley - Black	14
91TRL-09285	1	3 to 8.04	ETA Push Trolley - Black	23
91TRL-09286	1-1/2	3.33 to 8.04	ETA Push Trolley - Black	52
91TRL-09287	2	3.33 to 8.04	ETA Push Trolley - Black	52

- All Trolleys and Clamps finished with Black Powder Coating.

WESCO

INDUSTRIES LTD.

www.wescovan.com

Head Office: Unit 1, 9663-199A Street
Langley BC V1M 2X7
Phone: 604 881 3000
Fax: 604 881 3010
Email: info@wescovan.com

Rigging Centre: 2437 Beta Avenue
Burnaby BC V5C 5N1
Phone: 604 292 1220
Fax: 604 292 1222
Email: burnaby@wescovan.com

Distributors of:

Wire Rope & Fittings - Powerstrand, Esco, Crosby, Campbell.

Wire Rope all types of constructions and diameters, Wire Rope Fittings, Wire Rope Assemblies, Grips, Hooks, & Links.

Slings - Powerstrand, Gunnebo, Campbell, Procraft.

Wire Rope, Chain, Webbing, Endless Polyester & Rope.

Chain & Fittings - Campbell, Gunnebo - Grabiq, Procraft.

Grade 30, Mooring & Lashing, Grade 70, 80 & 100.

Hoists & Trolleys - Columbus Mckinnon, Coffing & Campbell.

Chain Hoists, Lever Hoists, Cummalongs, Electric Hoists, Air Hoists, Winches, Beam Clamps & Trolleys.

Lifting Equipment - CM, Merrill, Terrier, Johnson, Rud, Crosby.

Shackles, Hooks, Plate Clamps, Crane Blocks, Eyebolts, Turnbuckles.

Cordage - Novatec Braid, Samson, Procraft.

Double Braid, 12 Strand, 8 Strand, 3 Strand & Cords.

Towing & Tie Down - Procraft, CM, Crosby.

Loadbinders, Straps, Chain & Hooks, & Wire Rope Assemblies.

Industries Supplied:

Crane, Construction, Logging, Marine, Industrial, Towing, Entertainment, Elevator, Mining, Offshore Oil & Gas, Fishing, Forestry, Utilities, Steel Works & Rigging.



COOPER Tools
Campbell[®]

ProCraft



the Crosby[®] group, inc.

GUNNEBO  **JOHNSON**
CORPORATION